

March 2015

Fisher™ MR95 and MR98 Series Regulators Transition Management Guide

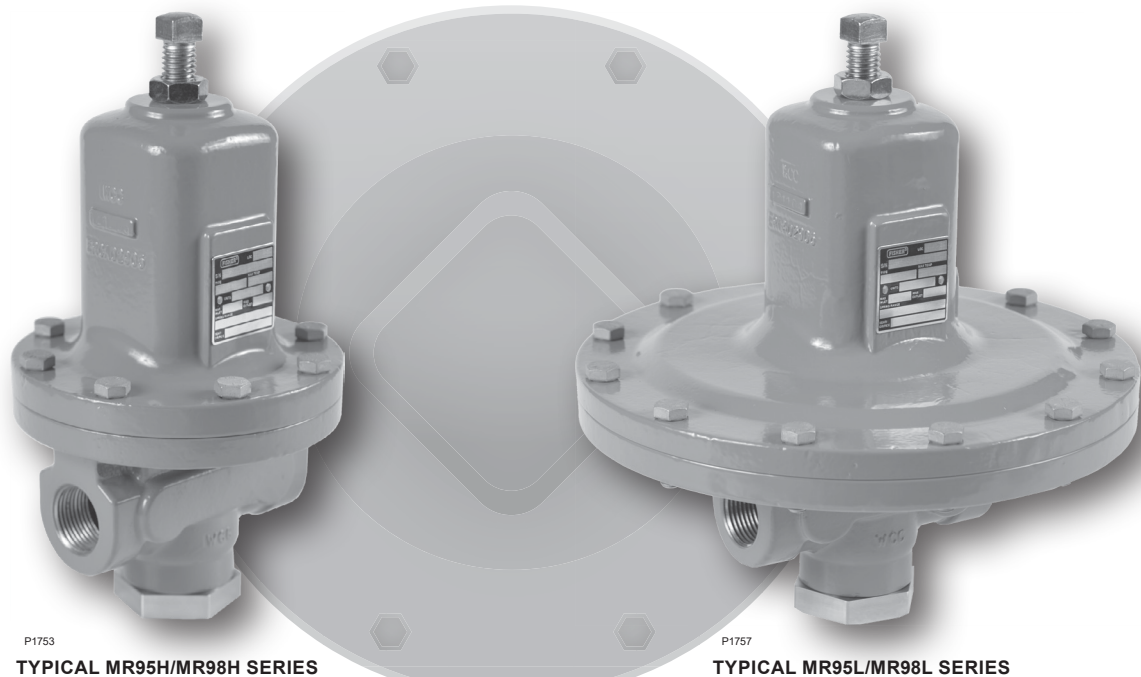


Figure 1. Typical MR95/MR98 Series Regulator

Background

The Fisher 95 Series pressure reducing regulators and Fisher 98 Series backpressure regulators, relief and differential relief valves have proven to be reliable, effective solutions in a wide variety of applications. Like the 95/98 Series, the MR95/MR98 Series operates with steam, air, liquids and process gases within a large range of temperatures and pressures. The introduction of the Fisher MR95 and MR98 Series builds on this history of success with improvements in performance and range of application. The MR95 Series features higher inlet pressures, while both the MR95 and MR98 Series offer increased flow capacity, more material options and extra features. These and other enhancements result in a product that is a marked improvement over its predecessors.

Table 1. New and Legacy Products Description

NEW PRODUCT	DESCRIPTION	LEGACY PRODUCT
MR95 Series	Pressure Reducing / Differential Pressure Regulators	95 Series
MR98 Series	Backpressure Regulators / Relief and Differential Relief Valves	98 Series

Purpose

The purpose of this document is to ease the transition for the user from the 95/98 Series to the new MR95/MR98 Series. This transition can be most easily understood through the following categories:

1. **Fit** – Is the installation of this product different?
2. **Form** – Are there any physical changes?
3. **Function** – How is the product different in its operation and performance?

MR95/MR98 Series

Table 2. New and Legacy Products Configuration Description

NEW PRODUCT TYPE	DESCRIPTION	LEGACY PRODUCT TYPE
MR95 Series: Pressure Reducing Regulator		
MR95L	Direct-operated low pressure regulator for 2 to 30 psig / 0.14 to 2.1 bar outlet pressures	95L
MR95H	Direct-operated high pressure regulator for 5 to 150 psig / 0.34 to 10.3 bar outlet pressures	95H
MR95LD	Pressure-loaded low pressure differential regulator for 2 to 30 psi / 0.14 to 2.1 bar differential pressures	95LD
MR95HD	Pressure-loaded high pressure differential regulator for 5 to 150 psi / 0.34 to 10.3 bar differential pressures	95HD
MR95HP	Direct-operated high pressure regulator for 15 to 400 psig / 1.0 to 27.6 bar outlet pressures (soft-seated)	95HP
MR95HT	Pressure-operated high pressure/high temperature regulator for 15 to 300 psig / 1.0 to 20.7 bar outlet pressures (metal seat) and up to 650°F / 343°C	95HT
MR98 Series: Backpressure Regulator/Relief Valve		
MR98L	Direct-operated low pressure backpressure regulator/relief valve with 2 to 38 psig / 0.14 to 2.6 bar set pressure range	98L
MR98H	Direct-operated high pressure backpressure regulator/relief valve with 5 to 200 psig / 0.34 to 13.8 bar set pressure range	98H
MR98LD	Pressure-loaded low pressure differential pressure relief valve with 2 to 38 psi / 0.14 to 2.6 bar set pressure range	98LD
MR98HD	Pressure-loaded high pressure differential pressure relief valve with 5 to 200 psi / 0.34 to 13.8 bar set pressure range	98HD
MR98HH	Direct-operated high pressure backpressure regulator/relief valve with 150 to 375 psig / 10.3 to 25.9 bar set pressure range	98HH
MR98HHD	Pressure-operated high pressure backpressure regulator/relief valve with 150 to 375 psi / 10.3 to 25.9 bar differential set pressure range	98HHD

Table 3. Physical Design Comparison

CATEGORY	MR95 SERIES	95 SERIES
Body Size	1/4, 1/2, 3/4, 1, 1-1/2 and 2 in. / DN 15, 20, 25, 40 and 50	1/4, 1/2, 3/4, 1, 1-1/2, and 2 in. / DN 15, 20, 25, 40 and 50
End Connection	NPT, SWE, CL150 RF, CL300 RF, CL600 RF* and PN 16/25/40 RF	NPT, SWE, CL150 RF, CL300 RF and PN 16/25/40 RF
Face-to-Face Dimension (Flanged Bodies)	14 in. / 356 mm	14 in. / 356 mm
Pressure Registration	Internal or External*	Internal
Vent Connection	1/4 NPT or Drilled Untapped Hole	1/4 NPT or Drilled Untapped Hole
CATEGORY	MR98 SERIES	98 SERIES
Body Size	1/4, 1/2, 3/4, 1, 1-1/2 and 2 in. / DN 15, 20, 25, 40 and 50	1/4, 1/2, 3/4, 1, 1-1/2 and 2 in. / DN 15, 20, 25, 40 and 50
End Connection	NPT, SWE, CL150 RF, CL300 RF and PN 16/25/40 RF	NPT, SWE, CL150 RF, CL300 RF and PN 16/25/40 RF
Face-to-Face Dimension (Flanged Bodies)	14 in. / 356 mm	14 in. / 356 mm
Pressure Registration	Internal or External*	Internal
Vent Connection	1/4 NPT or Drilled Untapped Hole	1/4 NPT or Drilled Untapped Hole

*New product offer

The following is a discussion covering each of these three elements.

Fit

See Table 3. The new and legacy products have the same body sizes and end connections, with the addition of the CL600 RF end connection option for the MR95 Series. Face-to-face dimensions of flanged connections are the same. As a new feature, external pressure sensing is introduced for the MR95/MR98 Series products with the addition of a control line connection tap.

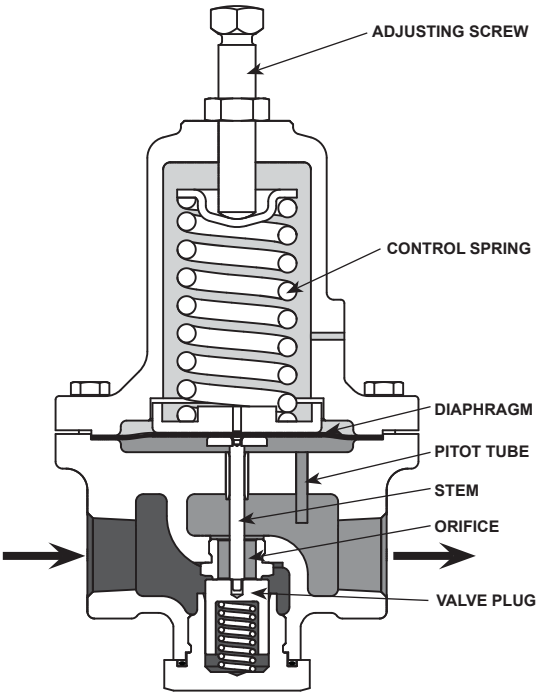
Form

See Tables 4 and 5. The new MR95/MR98 Series offers the same configuration options as the legacy series. New body and trim materials are available, including more standard diaphragm material options. A redesigned spring barrel introduces the unique diamond shape, distinguishing the Fisher™ brand. While the diaphragms and some springs remain common between the new and legacy series, other

parts are not interchangeable. See Table 9 for the list of interchangeable parts. The MR95/MR98 Series offers optional gauges on the inlet and outlet lines to allow for easy monitoring of regulator function.

Function

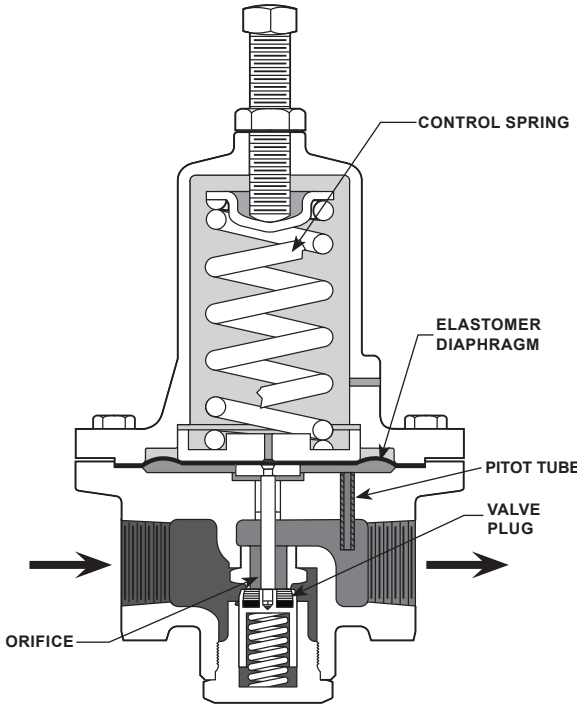
See Tables 4, 5 and 8. The MR95/MR98 Series features improvements that allow them to function effectively in a larger range of applications. These improvements include an option for steam applications, which includes 302 Stainless steel diaphragms and graphite gaskets, a redesigned bottom plug to reduce the chance of leakage and a more robust diaphragm clamping design. Options for inlet and outlet gauges and external pressure registration are available. These optional features combine with increased flow capacities to deliver greater utility. The orifice sizes of the new product are slightly larger than the legacy product resulting in an increase in flow capacity. The new external pressure registration option for the MR95/MR98 Series allows for more stable regulation.



A6616

- INLET PRESSURE
- OUTLET PRESSURE
- ATMOSPHERIC PRESSURE

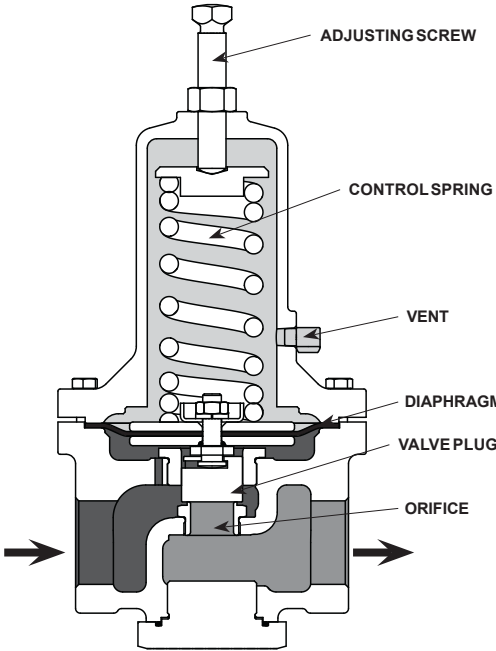
TYPICAL TYPE MR95H WITH METAL SEAT AND INTERNAL PRESSURE REGISTRATION



A6616

- INLET PRESSURE
- OUTLET PRESSURE
- ATMOSPHERIC PRESSURE

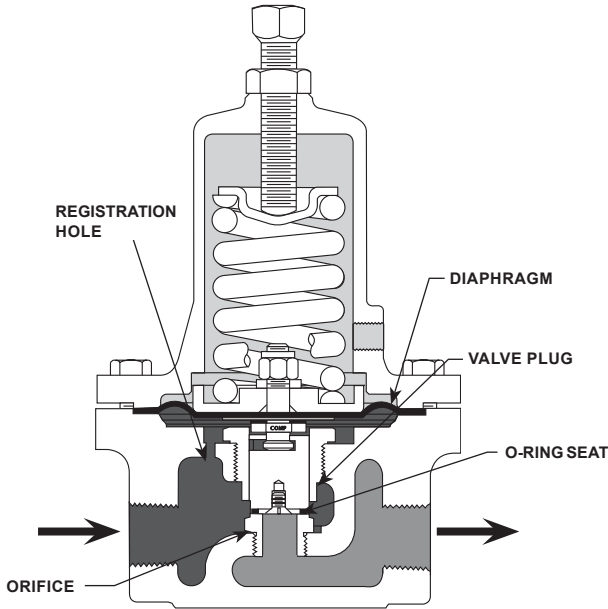
TYPICAL TYPE MR95H WITH ELASTOMERIC SEAT AND INTERNAL PRESSURE REGISTRATION



A6925

- INLET PRESSURE
- OUTLET PRESSURE
- ATMOSPHERIC PRESSURE

TYPICAL TYPE MR98H WITH METAL SEAT AND INTERNAL PRESSURE REGISTRATION



A6925

- INLET PRESSURE
- OUTLET PRESSURE
- ATMOSPHERIC PRESSURE

TYPICAL TYPE MR98H WITH ELASTOMERIC SEAT AND INTERNAL PRESSURE REGISTRATION

Figure 2. Typical MR95/MR98 and 95/98 Series Operational Schematics

MR95/MR98 Series

Table 4. Detailed Comparison of MR95 Series (New Product) and 95 Series (Legacy Product) Pressure Reducing Regulators

CATEGORY	MR95 SERIES (NEW PRODUCT)			95 SERIES (LEGACY PRODUCT)		
End Connection Style	NPT SWE CL150 RF CL300 RF PN 16/25/40 RF			NPT SWE CL150 RF CL300 RF PN 16/25/40 RF		
	CL600 RF			----		
Body Material	Gray cast iron, WCC Steel, CF8M Stainless steel, Monel® and Hastelloy® C			Gray cast iron, WCC/WCB Steel, CF8M Stainless steel, Monel® and Hastelloy® C		
	Aluminum-Bronze, LCC Steel and CF3M Stainless steel			----		
Body and Orifice Size	Body Size	Orifice Size		Orifice Size		
	1/4 in.	0.284 in.	7.2 mm	0.25 in.	6.4 mm	
	1/2 in.	0.416 in.	11 mm	0.375 in.	9.5 mm	
	3/4 and 1 in.	0.631 in.	16 mm	0.5625 in.	14 mm	
	1-1/2 and 2 in.	1.142 in.	29 mm	1.0625 in.	27 mm	
Control Pressure Range	2 to 6 psig / 0.14 to 0.41 bar 5 to 15 psig / 0.34 to 1.0 bar 5 to 80 psig / 0.34 to 5.5 bar 13 to 30 psig / 0.90 to 2.1 bar 15 to 30 psig / 1.0 to 2.1 bar 15 to 100 psig / 1.0 to 6.9 bar 25 to 75 psig / 1.7 to 5.2 bar 60 to 120 psig / 4.1 to 8.3 bar 60 to 260 psig / 4.1 to 17.9 bar 60 to 300 psig / 4.1 to 20.7 bar 70 to 150 psig / 4.8 to 10.3 bar 80 to 300 psig / 5.5 to 20.7 bar 80 to 400 psig / 5.5 to 27.6 bar 100 to 140 psig / 6.9 to 9.7 bar 120 to 150 psig / 8.3 to 10.3 bar			2 to 6 psig / 0.14 to 0.41 bar 5 to 15 psig / 0.34 to 1.0 bar 5 to 80 psig / 0.34 to 5.5 bar 13 to 30 psig / 0.90 to 2.1 bar 15 to 30 psig / 1.0 to 2.1 bar 15 to 100 psig / 1.0 to 6.9 bar 25 to 75 psig / 1.7 to 5.2 bar 60 to 120 psig / 4.1 to 8.3 bar 60 to 260 psig / 4.1 to 17.9 bar 60 to 300 psig / 4.1 to 20.7 bar 70 to 150 psig / 4.8 to 10.3 bar 80 to 300 psig / 5.5 to 20.7 bar 80 to 400 psig / 5.5 to 27.6 bar 100 to 140 psig / 6.9 to 9.7 bar 120 to 150 psig / 8.3 to 10.3 bar		
Temperature Range	-40 to 650°F / -40 to 343°C			-40 to 650°F / -40 to 343°C		
Diaphragm Material	Neoprene (CR), 302 Stainless steel, Fluorocarbon (FKM), Ethylenepropylene (EPDM), Monel® and Hastelloy® C			Neoprene (CR), 302 Stainless steel, Fluorocarbon (FKM), Ethylenepropylene (EPDM), Monel® and Hastelloy® C		
	Polytetrafluoroethylene (PTFE) diaphragm protector available			----		
Disk/Seat Material	Elastomer Seat: Nitrile (NBR), Fluorocarbon (FKM) and PTFE Metal Seat: 416 Stainless steel, 316 Stainless steel, Monel® and Hastelloy® C			Elastomer Seat: Nitrile (NBR), Fluorocarbon (FKM) and PTFE Metal Seat: 416 Stainless steel, 316 Stainless steel, Monel® and Hastelloy® C		
	Elastomer Seat: Ethylenepropylene (EPDM) and Perfluoroelastomer (FFKM) Metal Seat: Alloy 6			Elastomer Seat: Neoprene (CR) ---- ----		
NACE Construction	Available (NACE MR0175-2002 and MR0103)			Available (NACE MR0175-2002 and MR0103)		
Approximate Weight	Body Size	MR95L Series			95L Series	
		1/4 in.	7 lbs	3.2 kg	6 lbs	2.7 kg
		1/2 in.	15 lbs	6.8 kg	12 lbs	5.4 kg
		3/4 and 1 in.	35 lbs	16 kg	32 lbs	15 kg
		MR95H Series			95H Series	
		1/4 in.	5 lbs	2.3 kg	4 lbs	1.8 kg
		1/2 in.	10 lbs	4.5 kg	8 lbs	3.6 kg
		3/4 and 1 in.	22 lbs	10 kg	20 lbs	9.1 kg
1-1/2 and 2 in.	55 lbs	25 kg	73 lbs	33 kg		
Maximum Published Flow Capacity	510,000 SCFH / 13,668 Nm³/h			280,000 SCFH / 7504 Nm³/h		
Dimension	See Figures 3 and 4 and Table 6			See Figures 3 and 4 and Table 6		
Adjusting Screw	Square Head Adjustment, Stainless steel Square Head Adjustment, Sealed Square Head Adjustment, Handwheel Adjustment and Tee-handle			Standard Adjusting Screw, Handwheel and Tee-handle		

Note: Shaded cells indicate differences between the new and legacy product.

Monel® is a registered trademark of Special Metals Corporation.
Hastelloy® C is a registered trademark of Haynes International, Inc.

MR95/MR98 Series

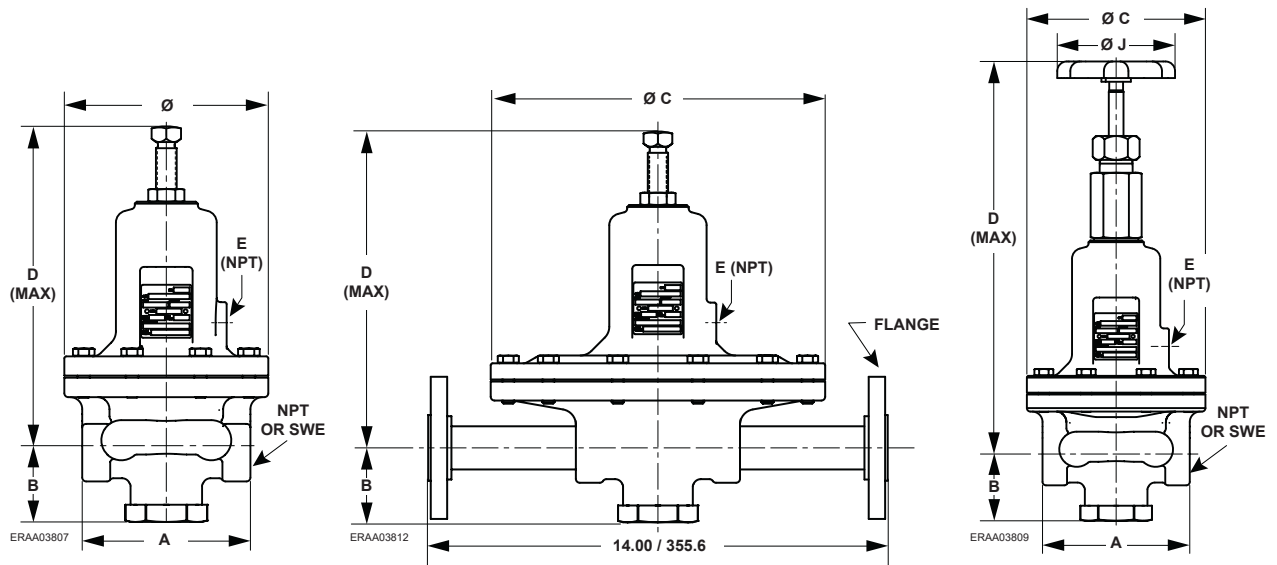
Table 5. Detailed Comparison of MR98 Series (New Product) and 98 Series (Legacy Product) Backpressure Regulators, Relief and Differential Relief Valves

CATEGORY	MR98 SERIES (NEW PRODUCT)			98 SERIES (LEGACY PRODUCT)		
End Connection Style	NPT SWE CL150 RF CL300 RF PN 16/25/40 RF			NPT SWE CL150 RF CL300 RF PN 16/25/40 RF		
Body Material	Gray cast iron, WCC Steel, CF8M Stainless steel, Monel® and Hastelloy® C			Gray cast iron, WCC Steel, CF8M Stainless steel, Monel® and Hastelloy® C		
	LCC Steel, CF3M Stainless steel and Aluminum-bronze			----		
Body and Orifice Size	Body Size	Orifice Size		Orifice Size		
	1/4 in.	0.284 in.	7.2 mm	0.25 in.	6.4 mm	
	1/2 in.	0.416 in.	11 mm	0.375 in.	9.5 mm	
	3/4 and 1 in.	0.631 in.	16 mm	0.5625 in.	14 mm	
	1-1/2 and 2 in.	1.142 in.	29 mm	1.0625 in.	27 mm	
Control Pressure Range	2 to 7 psig / 0.14 to 0.48 bar 5 to 35 psig / 0.34 to 2.4 bar 6 to 14 psig / 0.41 to 0.97 bar 12 to 25 psig / 0.83 to 1.7 bar 15 to 35 psig / 1.0 to 2.4 bar 20 to 38 psig / 1.4 to 2.6 bar 20 to 65 psig / 1.4 to 4.5 bar 25 to 75 psig / 1.7 to 5.2 bar 50 to 100 psig / 3.4 to 6.9 bar 70 to 140 psig / 4.8 to 9.7 bar 130 to 200 psig / 9.0 to 13.8 bar 150 to 375 psig / 10.3 to 25.9 bar			2 to 7 psig / 0.14 to 0.48 bar 5 to 35 psig / 0.34 to 2.4 bar 6 to 14 psig / 0.41 to 0.97 bar 12 to 25 psig / 0.83 to 1.7 bar 15 to 35 psig / 1.0 to 2.4 bar 20 to 38 psig / 1.4 to 2.6 bar 20 to 65 psig / 1.4 to 4.5 bar 25 to 75 psig / 1.7 to 5.2 bar 50 to 100 psig / 3.4 to 6.9 bar 70 to 140 psig / 4.8 to 9.7 bar 130 to 200 psig / 9.0 to 13.8 bar 150 to 375 psig / 10.3 to 25.9 bar		
	75 to 170 psig / 5.2 to 11.7 bar			80 to 170 psig / 5.5 to 11.7 bar		
Temperature Range	-40 to 450°F / -40 to 232°C			-40 to 450°F / -40 to 232°C		
Diaphragm Material	Neoprene (CR), 302 Stainless steel, Fluorocarbon (FKM), Ethylenepropylene (EPDM), Monel® and Hastelloy® C			Neoprene (CR), 302 Stainless steel, Fluorocarbon (FKM), Ethylenepropylene (EPDM), Monel® and Hastelloy® C		
	PTFE diaphragm protector available			----		
Disk/Seat Material	Elastomer Seat: Nitrile (NBR) and Fluorocarbon (FKM) Metal Seat: 416 Stainless steel, 316 Stainless steel, Monel® and Hastelloy® C			Elastomer Seat: Nitrile (NBR) and Fluorocarbon (FKM) Metal Seat: 416 Stainless steel, 316 Stainless steel, Monel® and Hastelloy® C		
	Elastomer Seat: Ethylenepropylene (EPDM) and Perfluoroelastomer (FFKM) Metal Seat: Alloy 6			----		
NACE Construction	Available (NACE MR0175-2002 and MR0103)			Available (NACE MR0175-2002 and MR0103)		
Approximate Weight	Body Size	MR98L Series		98L Series		
		1/4 in.	7 lbs	3.2 kg	6 lbs	2.7 kg
		1/2 in.	15 lbs	6.8 kg	12 lbs	5.4 kg
		3/4 and 1 in.	35 lbs	16 kg	32 lbs	14.5 kg
		MR98H Series		98H Series		
		1/4 in.	5 lbs	2.3 kg	4 lbs	1.8 kg
		1/2 in.	10 lbs	4.5 kg	8 lbs	3.6 kg
		3/4 and 1 in.	22 lbs	10 kg	20 lbs	9.1 kg
1-1/2 and 2 in.	55 lbs	25 kg	73 lbs	33 kg		
Maximum Published Flow Capacity	206,000 SCFH / 5521 Nm³/h			157,000 SCFH / 4208 Nm³/h		
Dimension	See Figures 3 and 5 and Table 7			See Figures 3 and 5 and Table 7		
Adjusting Screw	Square Head Adjustment, Stainless steel Square Head Adjustment, Sealed Square Head Adjustment, Handwheel Adjustment and Tee-handle			Standard Adjusting Screw and Handwheel		

Note: Shaded cells indicate differences between the new and legacy product.

Monel® is a registered trademark of Special Metals Corporation.
Hastelloy® C is a registered trademark of Haynes International, Inc.

MR95/MR98 Series



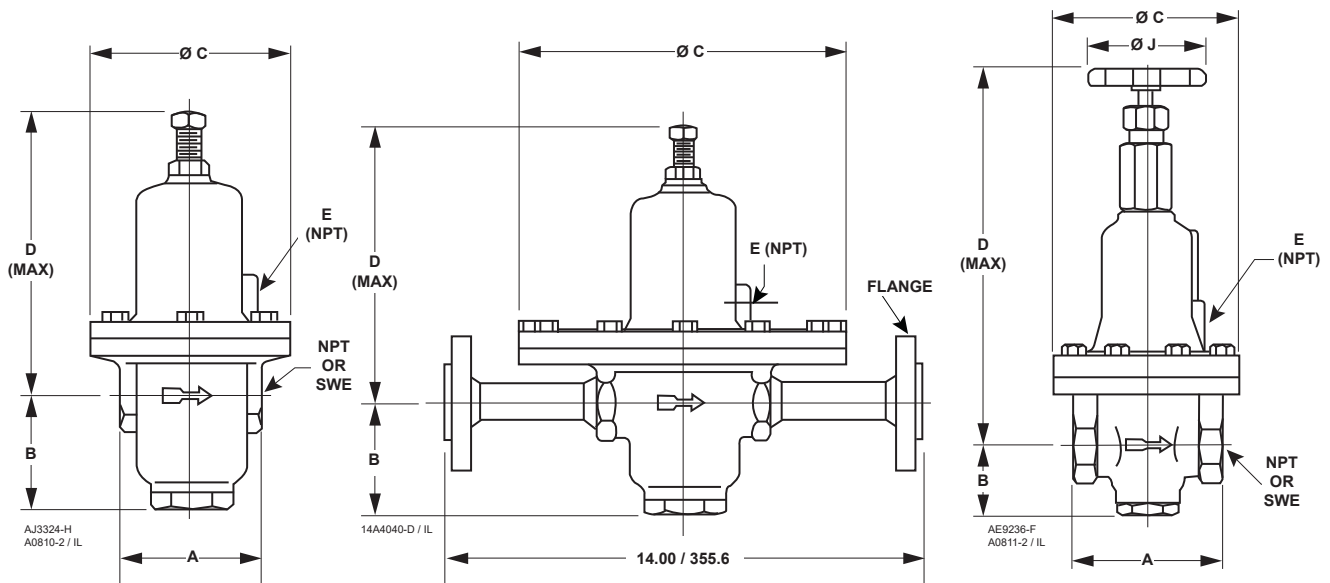
TYPE MR95H/MR98H
(DIMENSIONS ALSO APPLY TO
TYPES MR95L/MR98L, MR95HT,
MR95HP AND MR98HH)

TYPE MR95L/MR98L FLANGED BODIES
AVAILABLE IN 1/2 TO 2 IN. / DN 15 TO 50 SIZES
(DIMENSIONS ALSO APPLY TO
TYPES MR95L/MR98L, MR95HT AND MR95HP)

TYPE MR95HD/MR98HD
(DIMENSIONS ALSO APPLY TO
TYPES MR95LD/MR98LD
AND MR98HHD)

IN. / mm

Figure 3. Typical MR95 and MR98 Series Dimensions



TYPE 95H/98H REGULATOR
(DIMENSIONS ALSO APPLY TO
TYPES 95L/98L, 95HT, 95HP
AND 98HH)

TYPE 95L/98L FLANGED BODIES AVAILABLE IN
NPS 1/2 THROUGH 2 / DN 15 THROUGH 50
BODY SIZES

TYPE 95HD/98HD REGULATOR
(DIMENSIONS ALSO APPLY TO
TYPES 95LD/98LD AND 98HHD)

IN. / mm

Figure 4. Typical 95 and 98 Series Dimensions

MR95/MR98 Series

Table 6. Typical MR95 and 95 Series Dimensions (see Figures 3 and 4)

SERIES	BODY SIZE, IN. / DN	DIMENSION, IN. / mm										E	J
		A		B	C		D (Max)						
		Gray Cast Iron	Steel and Stainless Steel		MR95L SERIES	MR95H SERIES	TYPE						
							MR95L	MR95LD	MR95H, MR95HT and MR95HP	MR95HD			
MR95	1/4 NPT	2.8 / 70	2.8 / 70	2.0 / 52	5.1 / 129	3.2 / 81	6.2 / 157	10.5 / 266	6.4 / 162	10.4 / 264	1/4 NPT	4.0 / 102	
	1/2 / 15	3.9 / 99	4.0 / 102	1.9 / 47	7.0 / 178	4.3 / 108	7.8 / 199	11.6 / 295	8.3 / 211	11.5 / 293	1/4 NPT	4.0 / 102; 3.5 / 88.9 ⁽¹⁾	
	3/4 / 20	4.9 / 124	5.0 / 127	2.3 / 58	10.2 / 259	6.1 / 154	9.9 / 250	13.9 / 353	10.2 / 259	13.8 / 349	1/4 NPT	4.0 / 102	
	1 / 25	4.9 / 124	5.0 / 127	2.3 / 58	10.2 / 259	6.1 / 154	9.9 / 250	13.9 / 353	10.2 / 259	13.8 / 349	1/4 NPT	4.0 / 102	
	1-1/2 / 40	7.3 / 184	7.4 / 187	3.1 / 78	----	8.2 / 208	----	----	14.8 / 375	18.6 / 473	1/4 NPT	8.0 / 203	
	2 / 50	7.3 / 184	7.4 / 187	3.1 / 78	----	8.2 / 208	----	----	14.8 / 375	18.6 / 473	1/4 NPT	8.0 / 203	
SERIES	BODY SIZE, IN. / DN	DIMENSION, IN. / mm										E	J
		A		B	C		D (Max)						
		Gray Cast Iron	Steel and Stainless Steel		95L SERIES	95H SERIES	TYPE						
							95L	95LD	95H, 95HT and 95HP	95HD			
95	1/4 NPT	2.3 / 57	2.8 / 70	1.8 / 46	5.1 / 129	3.2 / 81	4.6 / 117	7.9 / 202	4.5 / 114	7.9 / 200	1/8 NPT	2.8 / 70	
	1/2 / 15	3.9 / 99	4.0 / 102	1.8 / 46	7.0 / 178	4.3 / 108	6.1 / 155	10.1 / 257	6.0 / 152	10.0 / 254	1/4 NPT	4.0 / 102	
	3/4 / 20	4.9 / 124	5.0 / 127	2.3 / 57	10.2 / 259	6.1 / 154	9.1 / 232	15.3 / 389	9.1 / 232	15.1 / 384	1/4 NPT	4.0 / 102	
	1 / 25	4.9 / 124	5.0 / 127	2.3 / 57	10.2 / 259	6.1 / 154	9.1 / 232	15.3 / 389	9.1 / 232	15.1 / 384	1/4 NPT	4.0 / 102	
	1-1/2 / 40	7.3 / 184	7.4 / 187	2.8 / 71	----	8.2 / 208	----	----	14.7 / 373	18.3 / 465	1/4 NPT	6.8 / 171	
	2 / 50	7.3 / 184	7.4 / 187	2.8 / 71	----	8.2 / 208	----	----	14.7 / 373	18.3 / 465	1/4 NPT	6.8 / 171	

1. 1/2 in. / DN 15 Flanged Body.
Note: Shaded cells indicate differences between the new and legacy product.

Table 7. Typical MR98 and 98 Series Dimensions (see Figures 3 and 4)

SERIES	BODY SIZE, IN. / DN	DIMENSION, IN. / mm										E	J	
		A		B	C		D (Max)							
		Gray Cast Iron	Steel and Stainless Steel		MR98L SERIES	MR98H SERIES	TYPE							
							MR98L	MR98LD	MR98H	MR98HH	MR98HD	MR98HHD		
MR98	1/4 NPT	2.8 / 70	2.8 / 70	2.0 / 52	5.1 / 129	3.2 / 81	6.2 / 157	10.5 / 66	6.4 / 162	8.6 / 219	10.4 / 64	13.7 / 349	1/4 NPT	4.0 / 102
	1/2 / 15	3.9 / 99	4.0 / 102	1.9 / 47	7.0 / 178	4.3 / 108	7.8 / 199	11.6 / 295	8.3 / 211	10.8 / 275	11.5 / 293	15.1 / 383	1/4 NPT	4.0 / 102; 3.5 / 88.9 ⁽¹⁾
	3/4 / 20	4.9 / 124	5.0 / 127	2.3 / 58	10.2 / 259	6.1 / 154	9.9 / 250	13.9 / 353	10.2 / 259	12.1 / 307	13.8 / 349	17.4 / 441	1/4 NPT	4.0 / 102
	1 / 25	4.9 / 124	5.0 / 127	2.3 / 58	10.2 / 259	6.1 / 154	9.9 / 250	13.9 / 353	10.2 / 259	12.1 / 307	13.8 / 349	17.4 / 441	1/4 NPT	4.0 / 102
	1-1/2 / 40	7.3 / 184	7.4 / 187	3.1 / 78	----	8.2 / 208	----	----	14.8 / 375	----	18.6 / 473	----	1/4 NPT	8.0 / 203 ⁽²⁾ ; 8.76 / 223 ⁽³⁾
	2 / 50	7.3 / 184	7.4 / 187	3.1 / 78	----	8.2 / 208	----	----	14.8 / 375	----	18.6 / 473	----	1/4 NPT	8.0 / 203 ⁽²⁾ ; 8.76 / 223 ⁽³⁾
SERIES	BODY SIZE, IN. / DN	DIMENSION, IN. / mm										E	J	
		A		B	C		D (Max)							
					98L SERIES	98H SERIES	TYPE							
							98L	98LD	98H	98HH	98HD			
98	1/4 NPT	3.2 / 81	1.0 / 25	5.1 / 128	3.2 / 81	5.5 / 140	8.4 / 213	5.5 / 140	7.8 / 197	8.3 / 211	1/8 NPT	2.8 / 70		
	1/2 / 15	4.3 / 108	0.9 / 22	7.0 / 178	4.3 / 108	7.3 / 184	10.6 / 270	7.2 / 183	10.0 / 254	10.5 / 267	1/4 NPT	4.0 / 102		
	3/4 / 20	5.0 / 127	1.3 / 32	10.2 / 259	6.1 / 154	9.8 / 249	12.5 / 317	9.7 / 246	12.4 / 314	12.3 / 313	1/4 NPT	4.0 / 102		
	1 / 25	5.0 / 127	1.3 / 32	10.2 / 259	6.1 / 154	9.8 / 249	12.5 / 317	9.7 / 246	12.4 / 314	12.3 / 313	1/4 NPT	4.0 / 102		
	1-1/2 / 40	6.6 / 168	1.9 / 48	----	8.2 / 208	----	----	14.1 / 359	----	18.1 / 459	1/4 NPT	6.8 / 171		
	2 / 50	6.6 / 168	1.9 / 48	----	8.2 / 208	----	----	14.1 / 359	----	18.1 / 459	1/4 NPT	6.8 / 171		

1. 1/2 in. / DN 15 Flanged Body.
2. Type MR98HD
3. Type MR98HHD
Note: Shaded cells indicate differences between the new and legacy product.

MR95/MR98 Series

Table 8. Pressure and Temperature Specifications

CATEGORY	MR95 SERIES	95 SERIES
Maximum Inlet Pressure	1000 psig / 68.9 bar*	600 psig / 41.4 bar
Maximum Outlet Pressure	600 psig / 41.4 bar	600 psig / 41.4 bar
Control Pressure Range	2 to 400 psig / 0.14 to 27.6 bar	2 to 400 psig / 0.14 to 27.6 bar
Temperature Range	-40 to 650°F / -40 to 343°C	-40 to 650°F / -40 to 343°C
Sample Flow Capacity Comparison ⁽¹⁾	26,000 SCFH / 687 Nm ³ /h	24,000 SCFH / 643 Nm ³ /h
Shutoff Classification per ANSI/FCI 70-3-2004:	Metal Seats: Class IV PTFE: Class IV Elastomer Seats: Class VI or better	Metal Seats: Class IV PTFE: Class IV Elastomer Seats: Class VI or better

* Improved feature.
1. Air at 30 psig / 2.1 bar outlet pressure, 100 psig / 6.9 bar inlet pressure, 10% droop. Higher capacities are available; see separate Bulletin for complete capacity information.

CATEGORY	MR98 SERIES	98 SERIES
Maximum Inlet Pressure	400 psig / 27.6 bar	400 psig / 27.6 bar
Control Pressure Range	2 to 375 psig / 0.14 to 25.9 bar	2 to 375 psig / 0.14 to 25.9 bar
Temperature Range	-40 to 450°F / -40 to 232°C	-40 to 450°F / -40 to 232°C
Sample Flow Capacity Comparison ⁽¹⁾	35,000 SCFH / 950 Nm ³ /h	17,000 SCFH / 456 Nm ³ /h
Shutoff Classification per ANSI/FCI 70-3-2004:	Metal Seats: Class IV PTFE: Class IV Elastomer Seats: Class VI or better	Metal Seats: Class IV PTFE: Class IV Elastomer Seats: Class VI

1. Air at 35 psig / 2.4 bar relief setting, 10 psig / 0.69 bar pressure buildup over relief setting. Higher capacities are available; see separate Bulletin for complete capacity information.

Table 9. Interchangeable Parts

PARTS LIST	COMMON BETWEEN MR95/MR98 VS. 95/98 SERIES?
Body	No
Spring Case	No
Orifice	No
Spring	Yes ⁽¹⁾
Lower Spring Seat	Yes
Upper Spring Seat	Yes ⁽¹⁾
Diaphragm Head	Yes ⁽¹⁾
Diaphragm Protector	Yes
Handwheel	Yes ⁽¹⁾
Pusher Post	Yes ⁽¹⁾⁽²⁾
O-ring	No
Stuff Box Gasket	Yes ⁽³⁾
Sealing Washer	Yes

1. Applicable only to certain body sizes/spring ranges. See separate Instruction Manual for complete list.
2. Applicable for MR98/98 Series only.
3. Applicable for MR95/95 Series only.

Conclusion

The introduction of the MR95/MR98 Series marks the improvement of pressure reducing, backpressure regulator and relief valve technology established by the 95/98 Series, while maintaining their standard of quality and durability. The increased flow and pressure capabilities, combined with new material options, make the MR95/MR98 Series more versatile than their predecessors, while still allowing easy in-line maintenance. Please refer to the respective product bulletins and instruction manuals for complete features.

✉ Webadmin.Regulators@emerson.com

Facebook.com/EmersonAutomationSolutions

Fisher.com

LinkedIn.com/company/emerson-automation-solutions

Twitter.com/emr_automation

Emerson Automation Solutions

Americas

McKinney, Texas 75070 USA
T +1 800 558 5853
+1 972 548 3574

Europe

Bologna 40013, Italy
T +39 051 419 0611

Asia Pacific

Singapore 128461, Singapore
T +65 6777 8211

Middle East and Africa

Dubai, United Arab Emirates
T +971 4 811 8100

D103745X012 © 2013, 2015 Emerson Process Management Regulator Technologies, Inc. All rights reserved. 07/20.

The Emerson logo is a trademark and service mark of Emerson Electric Co. All other marks are the property of their prospective owners. Fisher™ is a mark owned by Fisher Controls International LLC, a business of Emerson Automation Solutions.

The contents of this publication are presented for informational purposes only, and while every effort has been made to ensure their accuracy, they are not to be construed as warranties or guarantees, express or implied, regarding the products or services described herein or their use or applicability. All sales are governed by our terms and conditions, which are available upon request. We reserve the right to modify or improve the designs or specifications of such products at any time without notice.

Emerson Process Management Regulator Technologies, Inc. does not assume responsibility for the selection, use or maintenance of any product. Responsibility for proper selection, use and maintenance of any Emerson Process Management Regulator Technologies, Inc. product remains solely with the purchaser.



The distinctive diamond shape cast into every spring case uniquely identifies the regulator as part of the Fisher™ brand and assures you of the highest-quality engineering, durability, performance, and support.

