



KTM™ Series PDS Ball Valve System

2,000,000 Cycle Validation in Powder Handling Service at Emerson's Chengdu Facility

KTM Series PDS | Manufactured in Chengdu

Emerson's Chengdu, China manufacturing facility is now accredited to build KTM Series PDS Ball Valve Systems, as an additional source of supply to Emerson's Kobe, Japan facility.

Emerson's Chengdu team successfully completed an extended 2 million cycle, 8 month performance test on the locally sourced, locally engineered KTM Series PDS Ball Valve System using locally sourced PP powder. The test is ongoing to determine the upper limits of reliability that can be achieved in powder handling service.

Locally Sourced, Locally Engineered

Emerson's Kobe facility was the first site to successfully test 1 million cycles and provided an approved validation plan for the Chengdu team with assembly and testing procedures.

Emerson's Chengdu team engineered the solution from locally sourced components, including controls and tubing. These components underwent extensive individual performance testing to ensure their compatibility in the total solution that also included proven, high cycle actuation supplied from Japan.

Add Emerson's Chengdu Facility to your approved manufacturing locations

Approve Emerson Automation Solutions Final Control (Sichuan) Co., Ltd. for global Powder Discharge Service (PDS) opportunities, including applicable design guides and specifications.



100+
SUCCESSFUL
INSTALLATIONS
WORLDWIDE

A Legacy of Innovation

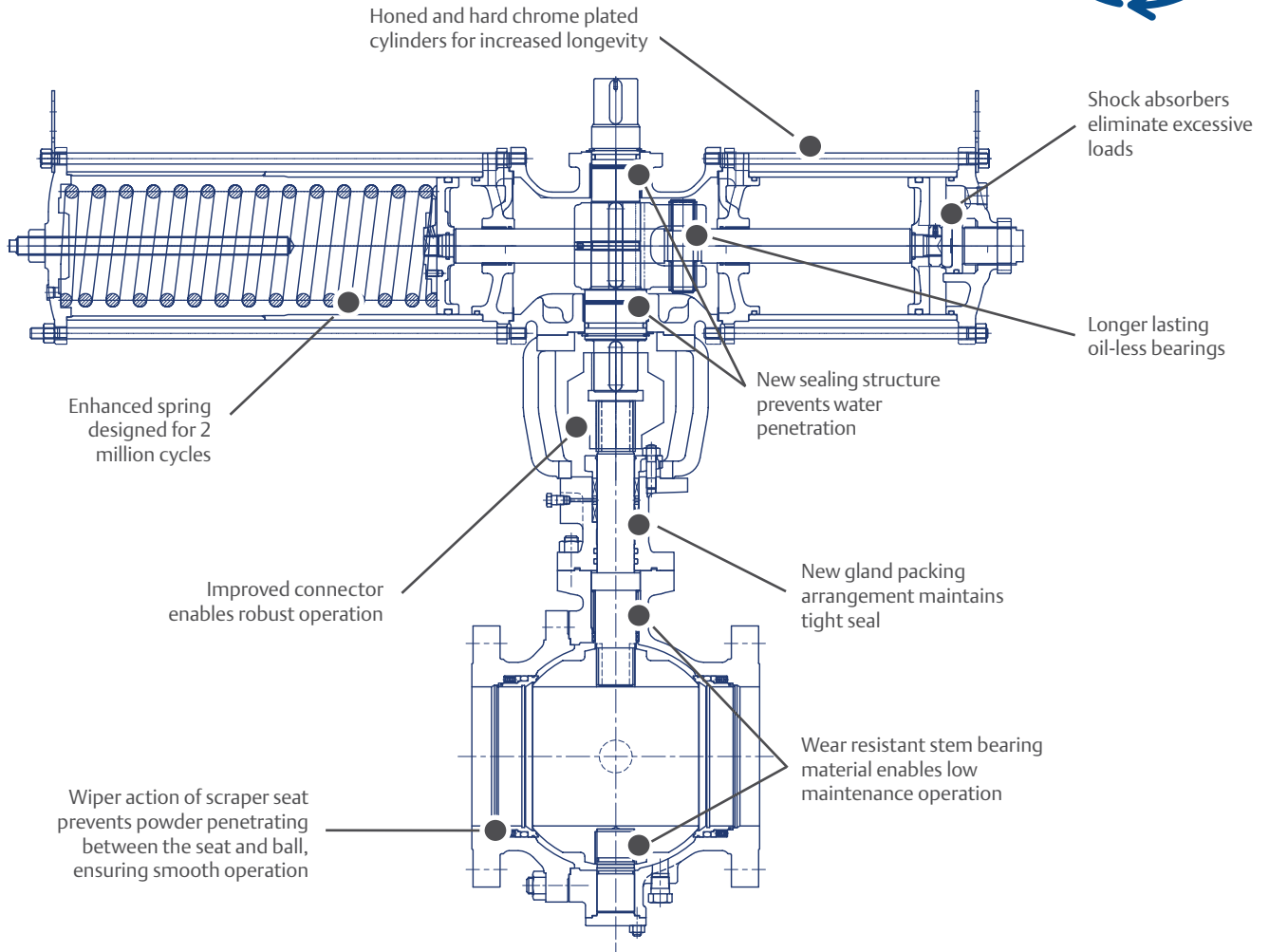
Emerson's KTM brand developed the first powder discharge service valve and continues to deliver innovation, quality and performance.

The KTM Series PDS Ball Valve System has now been successfully tested for over 2 million cycles. The system continues to operate reliably in over 100 powder discharge systems around the world.

[Learn more »](#)

KTM™ Series PDS Ball Valve System

A complete ball valve system engineered for enhanced reliability in powder handling service



KTM™
Performance
through Innovation



© 2022 Emerson Electric Co. All rights reserved.

Neither Emerson, Emerson Automation Solutions, nor any of their affiliated entities assumes responsibility for the selection, use or maintenance of any product. Responsibility for proper selection, use, and maintenance of any product remains solely with the purchaser and end user.

KTM is a mark owned by one of the companies in the Emerson Automation Solutions business unit of Emerson Electric Co. Emerson Automation Solutions, Emerson and the Emerson logo are trademarks and service marks of Emerson Electric Co. All other marks are the property of their respective owners.

The contents of this publication are presented for informational purposes only, and while every effort has been made to ensure their accuracy, they are not to be construed as warranties or guarantees, express or implied, regarding the products or services described herein or their use or applicability.

All sales are governed by our terms and conditions, which are available upon request. We reserve the right to modify or improve the designs or specifications of such products at any time without notice.

